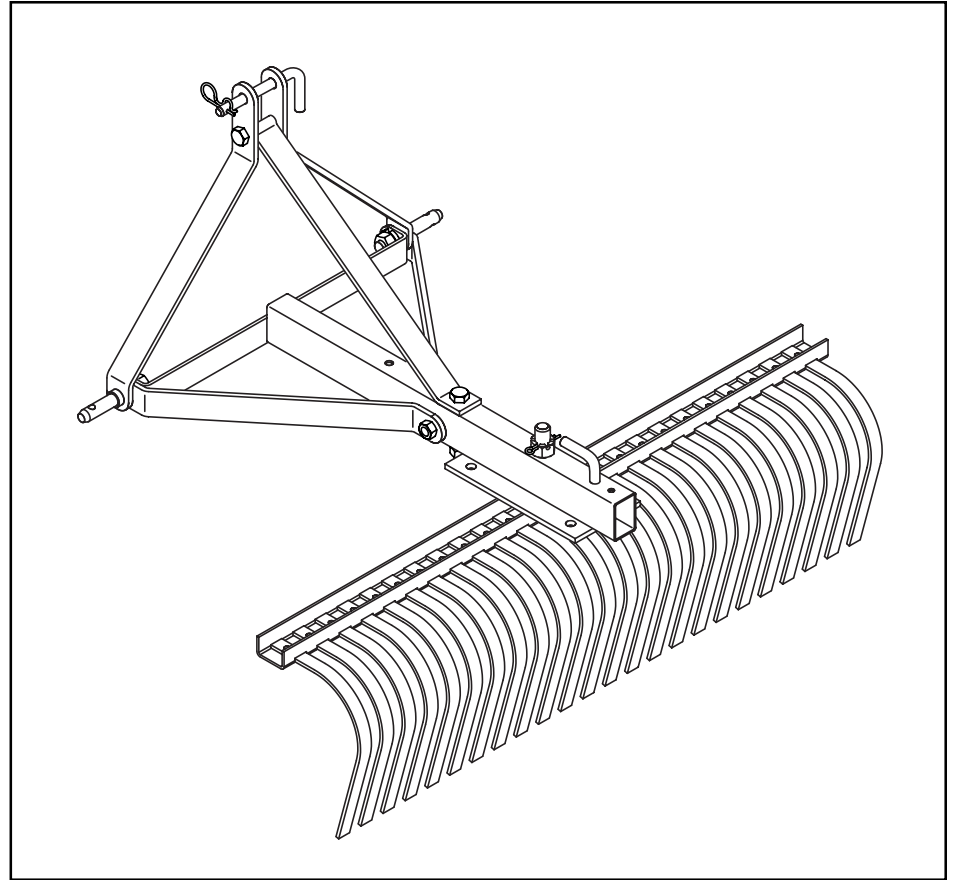


**Agri-Fab®**

**OWNERS  
MANUAL**

**Model No.**

**45-0357-131**



**3 PT. HITCH  
LANDSCAPE RAKE**

**CAUTION:**  
Read Rules for  
Safe Operation  
and Instructions  
Carefully

- Safety
- Assembly
- Operation
- Maintenance
- Parts

**SpeedEPart** *the fastest way to purchase parts* [www.speedepart.com](http://www.speedepart.com)

## SAFETY RULES

Remember, any power equipment can cause injury if operated improperly or if the user does not understand how to operate the equipment. Exercise caution at all times when using power equipment.



**LOOK FOR THIS SYMBOL TO POINT OUT IMPORTANT SAFETY PRECAUTIONS. IT MEANS – ATTENTION! BECOME ALERT! YOUR SAFETY IS INVOLVED.**

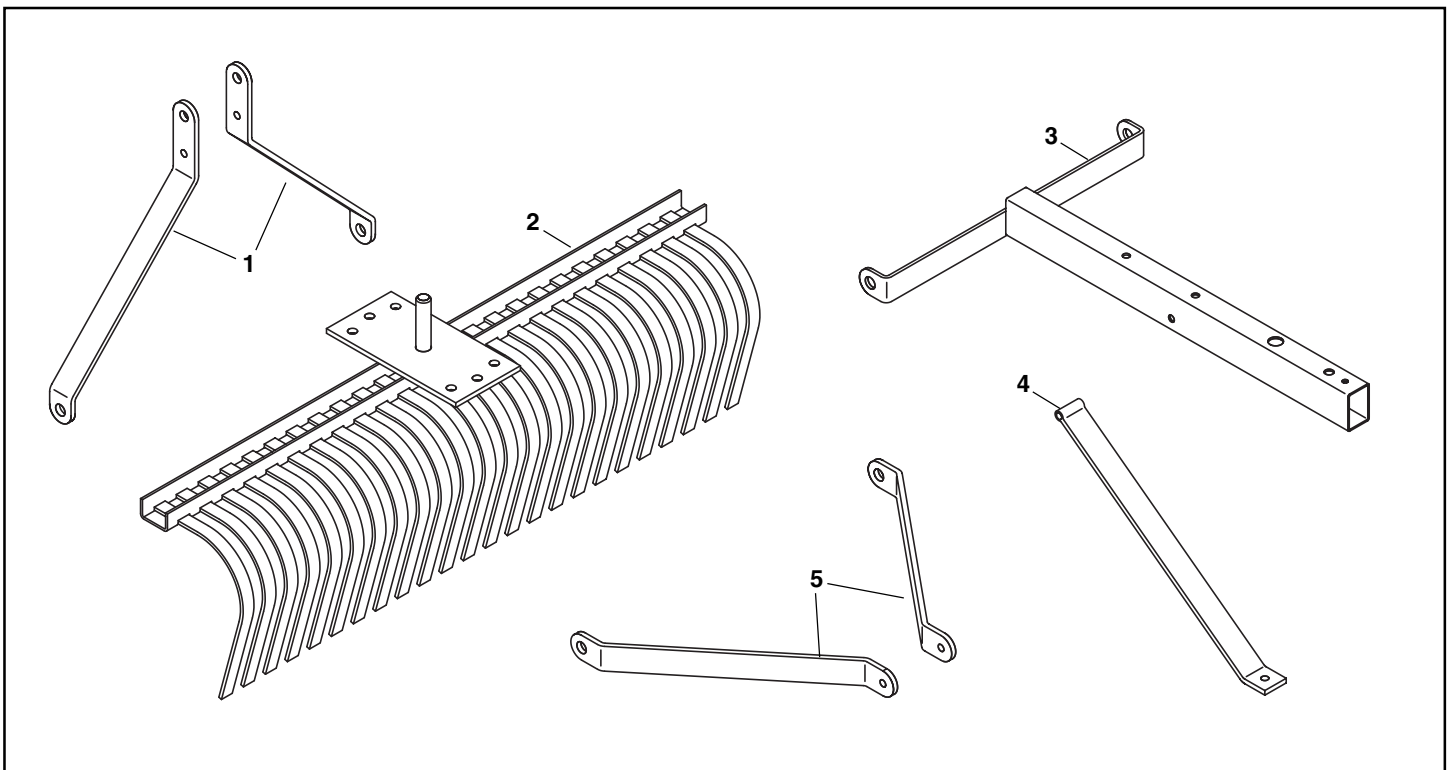


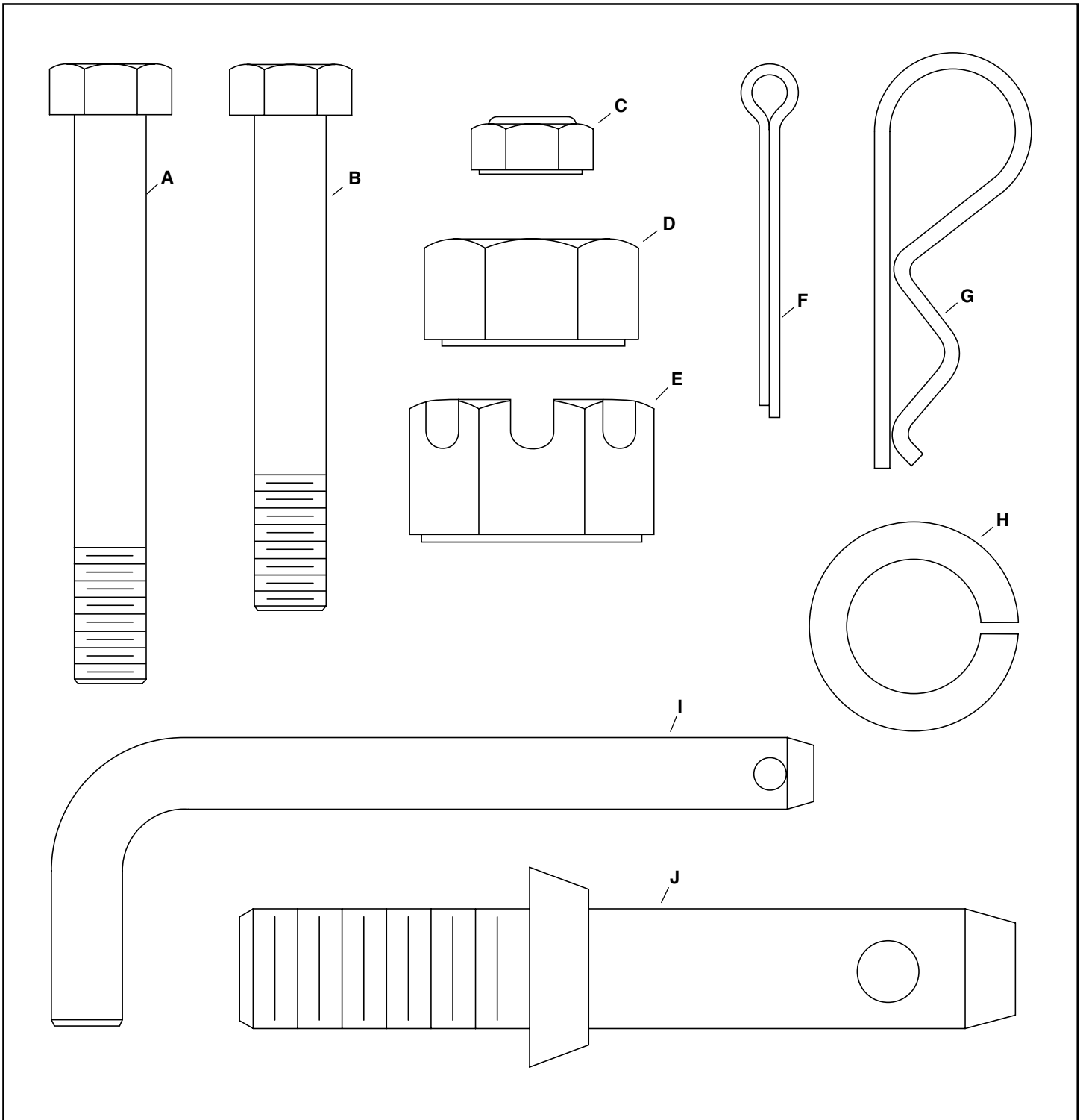
**CAUTION: VEHICLE BRAKING AND STABILITY MAY BE AFFECTED BY THE ADDITION OF AN ACCESSORY OR AN ATTACHMENT. BE AWARE OF CHANGING CONDITIONS ON SLOPES.**

1. Read this owner's manual before using this equipment.
2. Do not allow children to operate the tow vehicle or the rake.
3. Do not allow adults to operate the tow vehicle or the rake without proper instruction.
4. Do not allow anyone to ride on the tow vehicle or the rake.
5. Before lowering the rake, make sure no one is near the area of operation.
6. Lower the rake when leaving the tow vehicle unattended.
7. Wear appropriate footwear when using the rake.
8. Tow vehicle braking and stability may be affected by the rake. Drive slowly with the rake in the transport position. **Stay off steep slopes.**
9. Stop and inspect the equipment for damage after striking an object. Repair any damage before continuing operation.
10. Keep all nuts and bolts tight and be sure that the equipment is in safe operating condition.
11. Before attaching or removing the rake, park and lock the tow vehicle in a safe condition.

### CARTON CONTENTS

- |                  |                            |
|------------------|----------------------------|
| 1. Mast Side (2) | 4. Mast Support            |
| 2. Rake Assembly | 5. Mast Brace (2)          |
| 3. Mast Assembly | Parts Package (see page 3) |





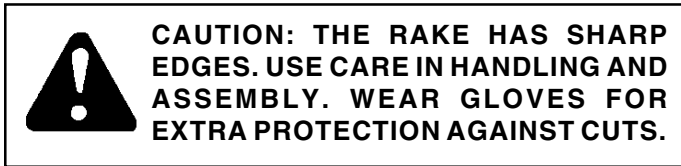
**PARTS PACKAGE CONTENTS – PARTS SHOWN ACTUAL SIZE**

KEY	QTY.	DESCRIPTION	KEY	QTY.	DESCRIPTION
A	1	Hex Bolt, 1/2" x 4" Lg.	F	1	Cotter Pin
B	2	Hex Bolt, 1/2" x 3-1/2" Lg.	G	2	Haircotter Pin
C	3	Nylock Nut, 1/2"	H	2	Lock Washer, 7/8"
D	2	Hex Nut, 7/8"	I	2	Pivot Pin
E	1	Hex Nut, Slotted, 1"	J	2	Category 1 Pin

## ASSEMBLY

### TOOLS REQUIRED FOR ASSEMBLY

- (2) 3/4" Wrenches
- (1) 9/16" Wrench
- (1) 1-5/16" Wrench or 12" Adjustable Wrench
- (1) 1-1/2" Wrench or 14" Adjustable Wrench
- (1) Pliers



Remove all loose parts and the hardware package from the shipping carton. Then lay out and identify each part and the common hardware as shown on pages 2 and 3. Be sure the carton is empty before it is discarded.

1. Attach the mast assembly to the rake assembly by sliding the mast assembly down over the threaded stud on the rake assembly. Put the forked end of the mast assembly on the front side of the rake assembly. Install a 1" slotted hex nut on the end of the stud and tighten until it is just snug. Back the nut off until the first slot aligns with the hole in the threaded stud or until the mast assembly can pivot on the rake assembly. See figure 1.

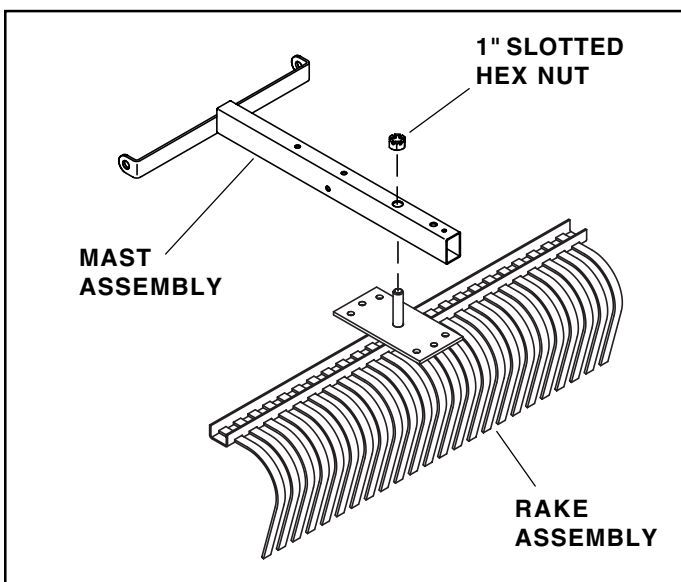


FIGURE 1

2. To prevent the slotted nut from turning on the threaded stud, install the cotter pin through the hole in the stud. Then bend both ends of the cotter pin around the crown of the nut to secure the pin and nut. See figure 2.

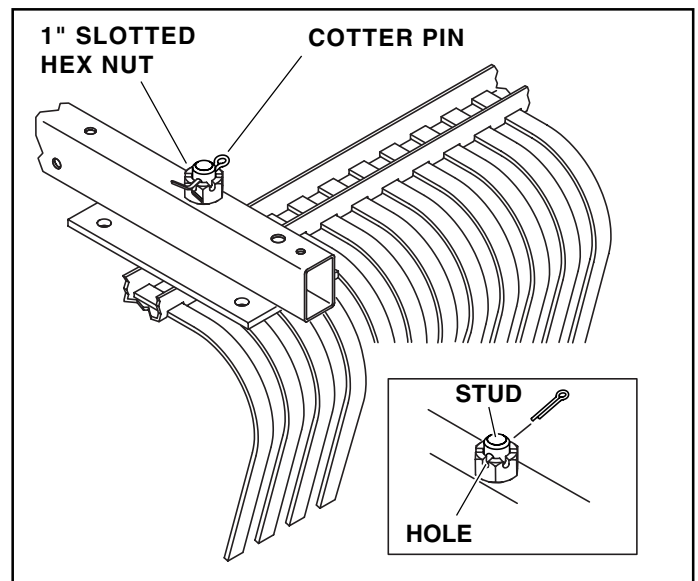


FIGURE 2

3. Attach the mast support to the mast assembly using a 1/2" x 4" hex bolt and 1/2" Nylock hex nut. Use the hole located just in front of the threaded stud. Install the bolt so the nut is on the bottom side of the mast assembly. See figure 3.

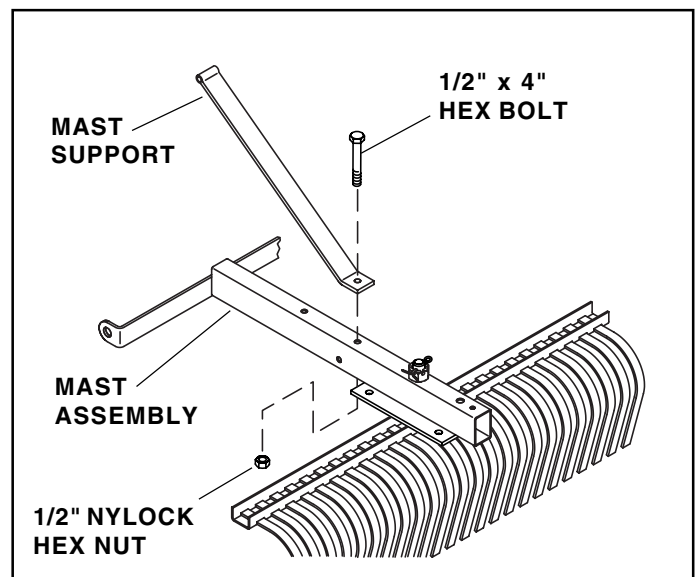


FIGURE 3

- Attach two mast braces to the sides of the mast assembly using a 1/2" x 3-1/2" hex bolt and 1/2" Nylock hex nut. Use the end of the brace with the smallest hole. **Do not tighten yet.** See figure 4.

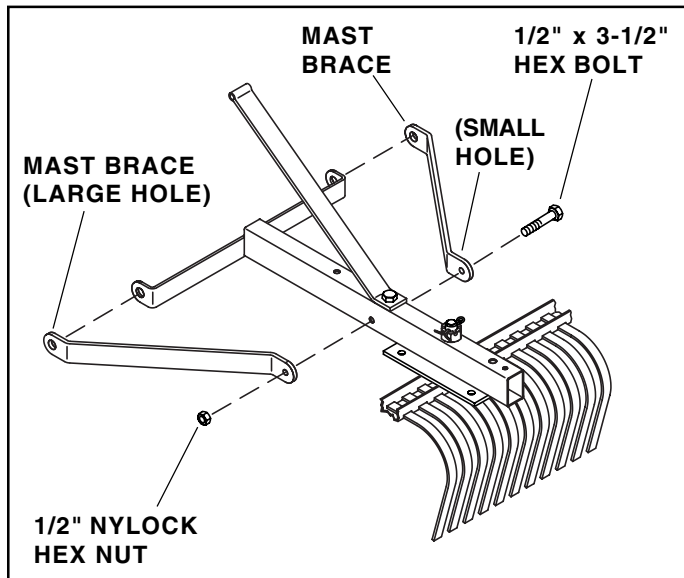


FIGURE 4

- Attach two mast sides to the mast support using a 1/2" x 3-1/2" hex bolt and 1/2" Nylock hex nut. Use the end of the mast side with two holes, inserting the hex bolt through the smaller hole. **Do not tighten yet.** See figure 5.

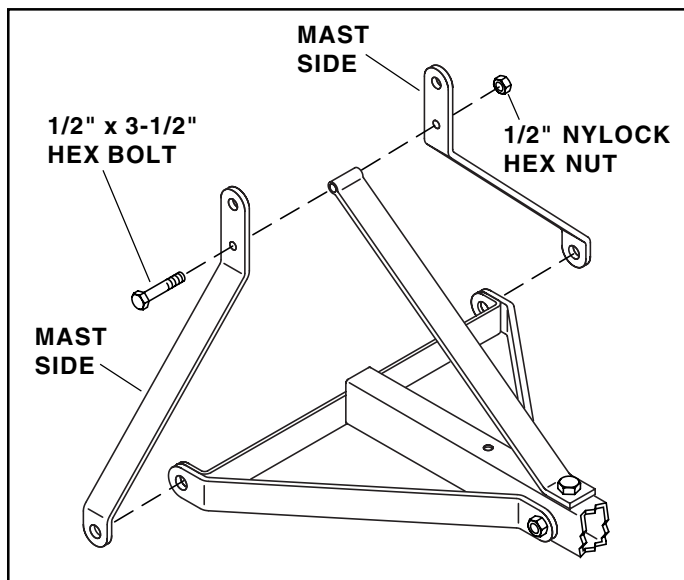


FIGURE 5

- Connect the lower end of each mast side and the front end of the each mast brace to the ends of the mast assembly using two category 1 pins, two 7/8" lock washers, and two 7/8" hex nuts. See figure 6.

Be sure to put the threaded end of each category 1 pin toward the center of the rake so that the threaded ends are toward each other. **Securely tighten** the hex nuts against the lock washers. **Tighten all** previously installed mast hardware.

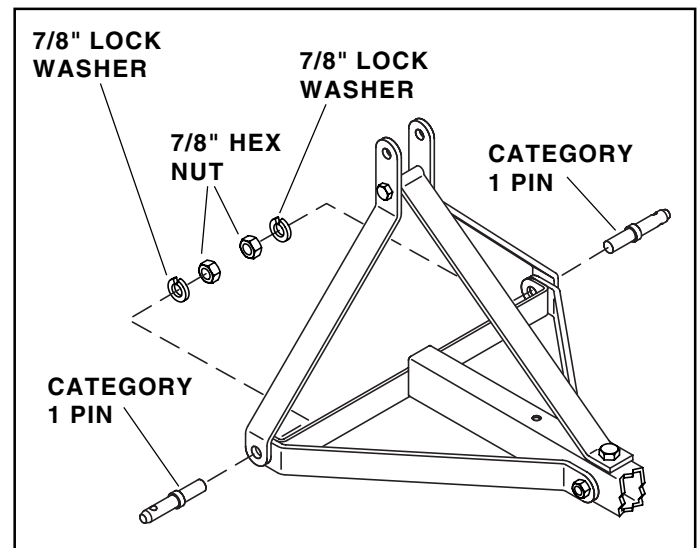


FIGURE 6

- Lock the rake assembly to the mast assembly by installing a pivot pin at the rear of the mast assembly. Secure the pin using a haircutter pin through the hole in the end of the pivot pin. See figure 7.

- Install a pivot pin through the upper end of the mast sides. Secure the pin with a haircutter pin through the hole in the end of the pivot pin. See figure 7.

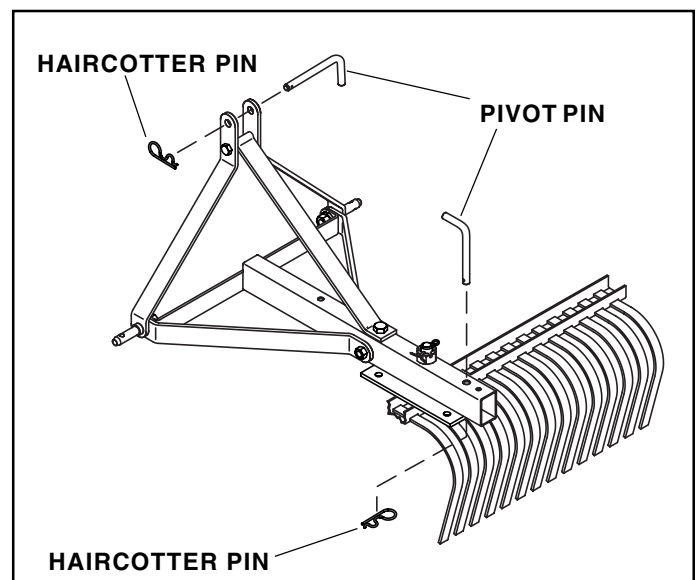


FIGURE 7

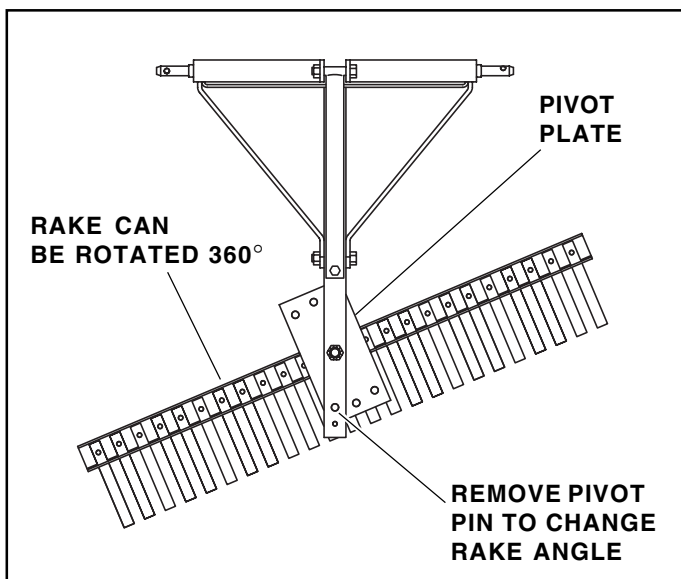
## OPERATION



**CAUTION: USE CARE WHEN WORKING AROUND A RAISED RAKE. KEEP YOUR FEET AND HANDS FROM UNDER THE RAKE AT ALL TIMES. SERIOUS INJURY CAN RESULT SHOULD THE RAKE DROP UNEXPECTEDLY.**

The rake is used to level and smooth road or other landscape surfaces.

1. Before starting, make sure the material to be graded, such as dirt, is dry enough by squeezing some in your hand. If it forms a ball that doesn't crumble, the material may be too wet for raking.
2. The rake can be set to push or pull dirt, with each direction having three rake angle settings. Do not use the reverse position if the rake is attached to a 3-point hitch trailer. The trailer is designed for towing only.
3. To rotate the rake, first raise the rake so that the tines of the rake are just off the ground. Remove the pivot pin from the mast assembly. Turn the rake pivot assembly to the desired raking angle. To lock in the setting, align the hole in the mast with the hole in the pivot plate that is closest to the desired raking angle. Install the pivot pin through the aligned holes and secure the pivot pin with the haircotter pin. See figure 8.



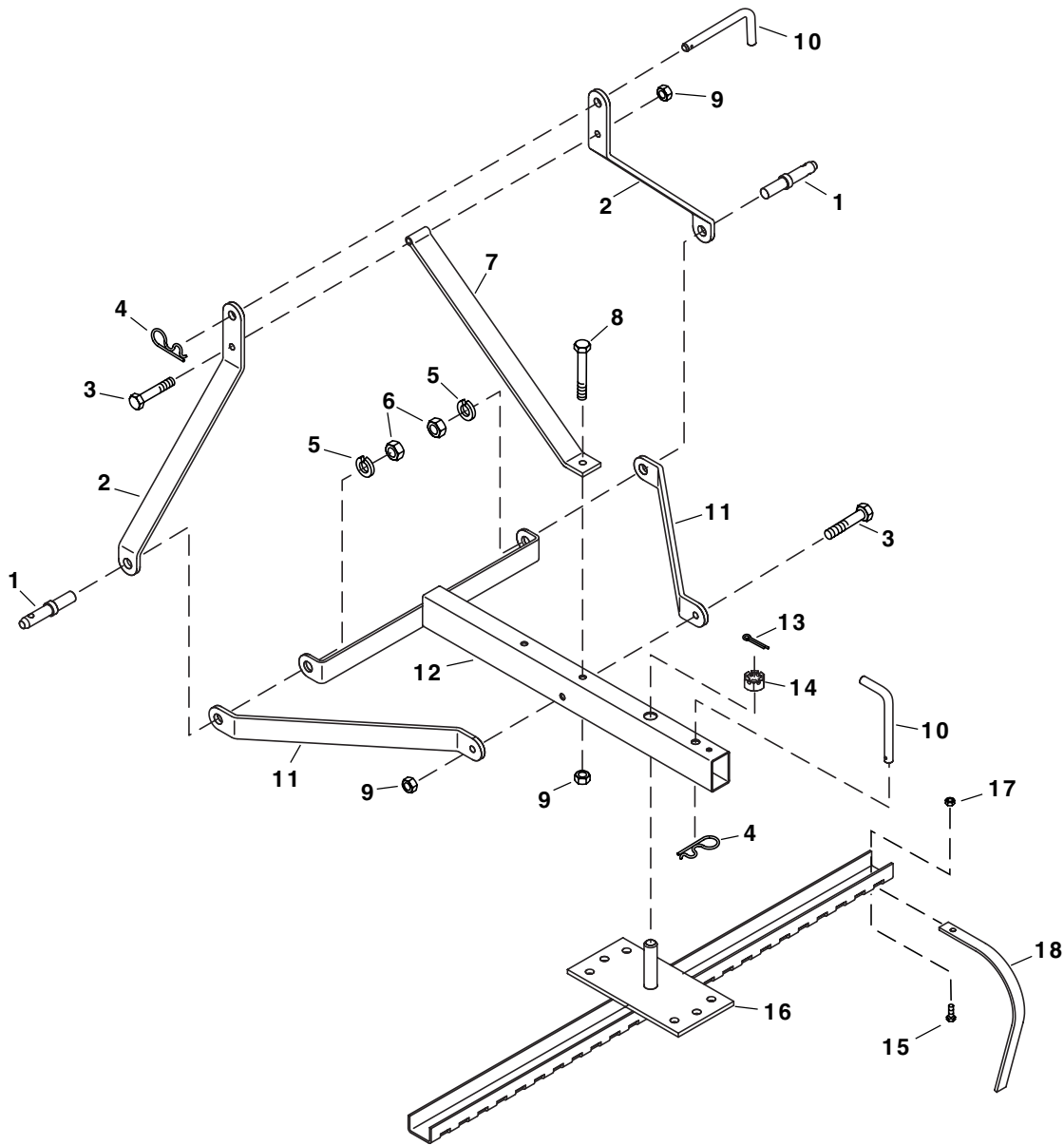
**FIGURE 8**

4. To prevent the rake from digging deeper at one end, be sure the rake is level from side to side and the mast assembly is level from front to back. Front to back leveling prevents the rake from digging deeper at one end when the rake is rotated to an angled setting. Refer to your 3-point hitch manual for instructions on leveling the rake attachment.

## MAINTENANCE

1. Check for and tighten any loose hardware before each use.
2. Clean the rake and lightly oil only bare metal after each use.
3. Remove all dirt and rust. Touch up paint before placing rake in storage.
4. Store rake inside a dry area.

## REPAIR PARTS FOR MODEL NO. 45-0357-131 3 PT. HITCH LANDSCAPE RAKE



REF. NO.	PART NO.	QTY.	DESCRIPTION	REF. NO.	PART NO.	QTY.	DESCRIPTION
1	48979	2	Category 1 Pin	11	25157	2	Mast Brace
2	25158	2	Mast Side	12	64779	1	Mast Assembly
3	46526	2	Hex Bolt, 1/2" x 3-1/2" Lg.	13	46855	1	Cotter Pin, 3/16" x 2"
4	43343	2	Haircotter Pin, 1/8"	14	48968	1	Hex Nut, Slotted, 1"
5	48982	2	Lock Washer, 7/8"	15	43001	24	Hex Bolt, 3/8" x 1" Lg.
6	48970	2	Hex Nut, 7/8"	16	64780	1	Rake Pivot Assembly
7	64793	1	Mast Support	17	HA21362	24	Hex Nut, Nylock, 3/8"
8	45100	1	Hex Bolt, 1/2" x 4" Lg.	18	25165	24	Rake Tines
9	712-3083	3	Hex Nut, Nylock, 1/2"		49355	1	Owners Manual (not shown)
10	48978	2	Pivot Pin				

For Agri Fab Discount Parts Call 606-678-9623 or 606-561-4983

***SpeedPart*** *the fastest way to purchase parts* [www.speedepart.com](http://www.speedepart.com)

**REPAIR PARTS**  
Agri-Fab, Inc.  
303 West Raymond  
Sullivan, IL. 61951  
217-728-8388  
[www.agri-fab.com](http://www.agri-fab.com)

© 2004 Agri-Fab, Inc.

[www.mymowerparts.com](http://www.mymowerparts.com)